

Vacuum Pump Edwards XDS 10



Price: CHF 3900.00 (*Price new CHF 7995.00*) *excl. delivery and taxes*
Electricity: 230V / 50cy
Condition: new un-used

Edwards XDS 10 Dry Scroll Vacuum Pump, 115 / 230 V, Single Phase, A72601906, XDS10

Edwards XDS 10 Overview:

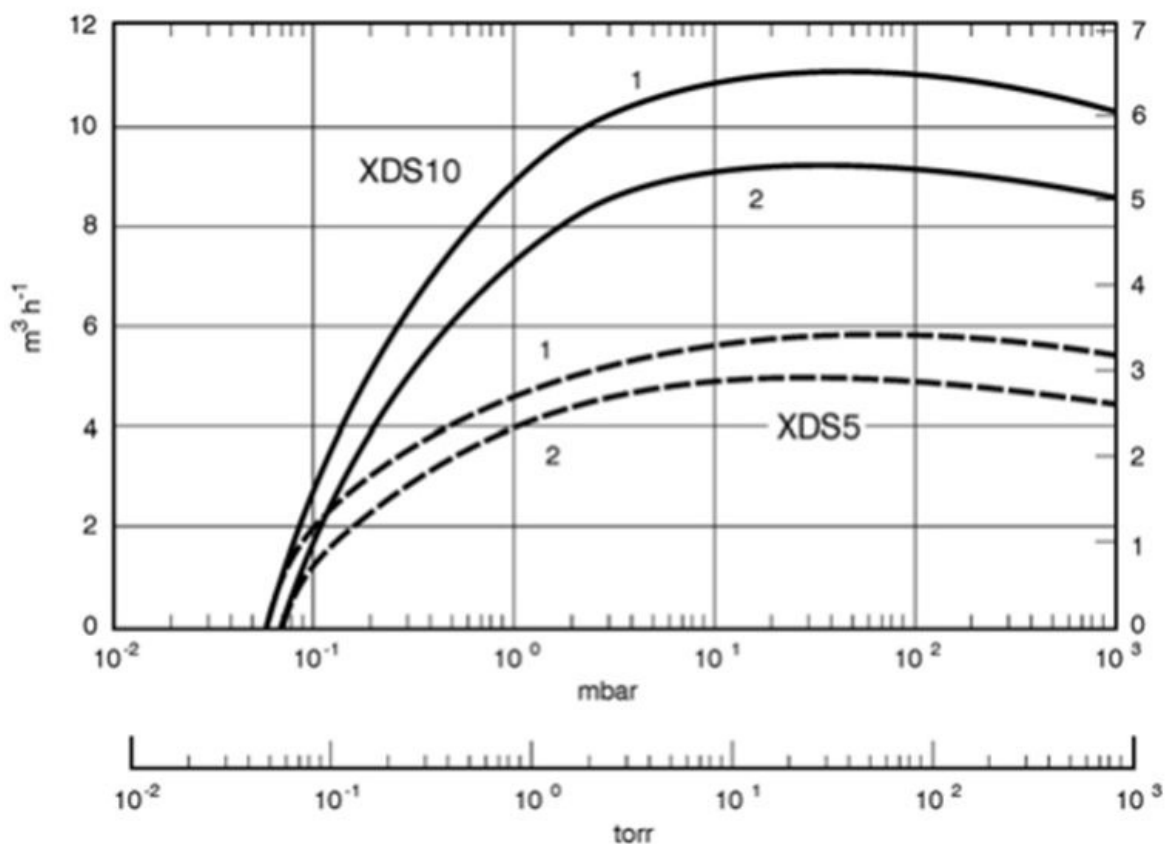
The Edwards XDS 10 / A726-01-906 pumps are an innovative design which use a bearing shield to isolate the vacuum environment from all forms of lubricant, not only making it totally dry, but hermetically sealed. The shield also protects the bearing from any process vapors.

Edwards XDS 10 Gas ballast allows vapor to be handled and opens up the range of applications to many that were previously unsuited to scroll pumps.

The XDS10 scroll pump is designed for pumping condensable vapors and uses materials selected for a wide range of laboratory wet chemistry applications.

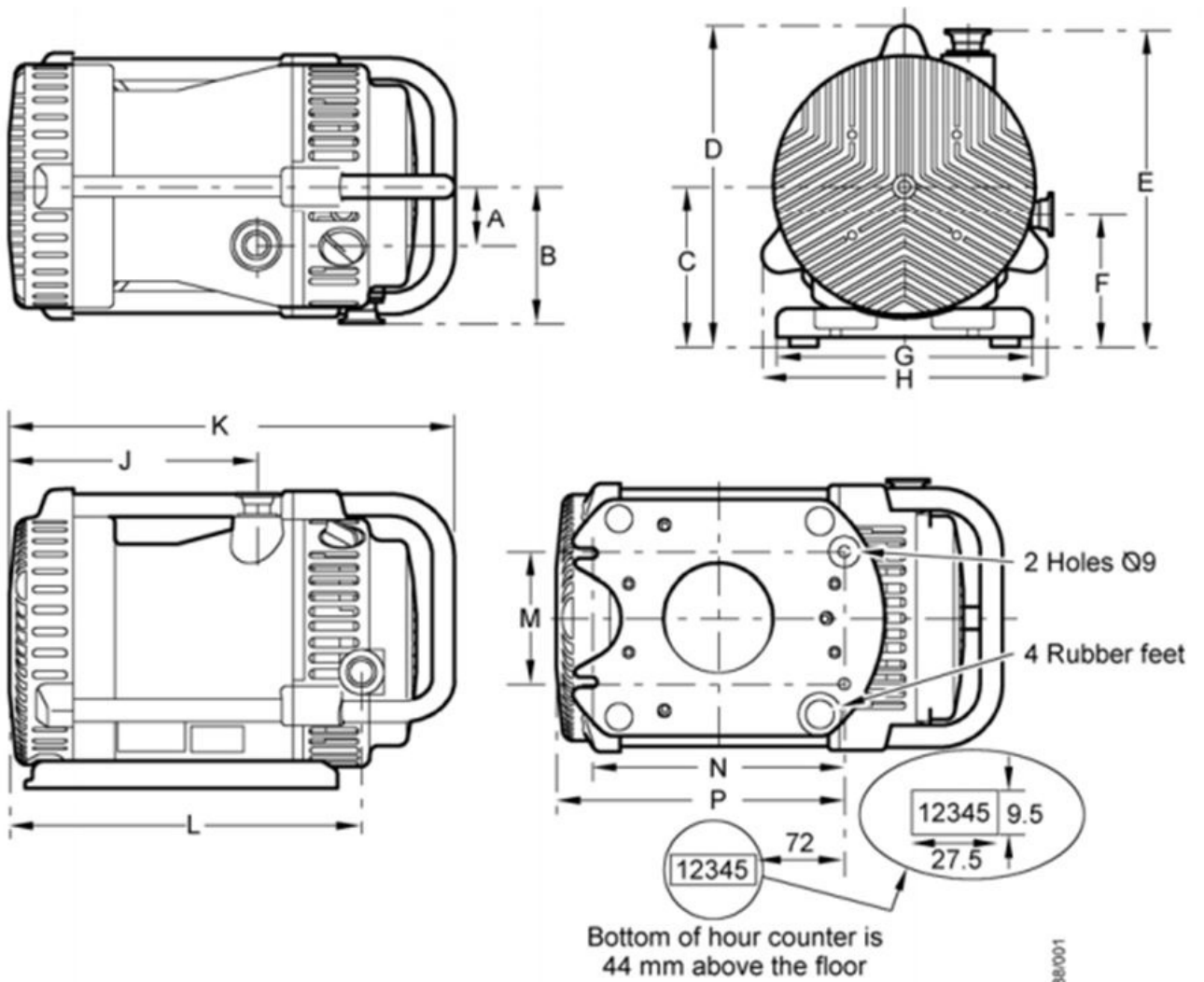
- Lubricant-free within the vacuum envelope and hermetically sealed means totally clean and dry vacuum to prevent cross contamination
- No atmosphere to vacuum shaft seals means bearing are completely isolated, which prevents process attack and means the bearings run cooler and last longer
- Simple single sided scroll design means routine maintenance is done in minutes for low cost of ownership and maximum up-time
- No oil changes required eliminating costs of contaminated oil disposal
- Gas ballast feature to enable pumping of vapors

Edwards XDS 10 Characteristic:



1. 60 Hz performance
2. 50 Hz performance

Edwards XDS 10 Dimensions:



dcs0188001

from motor end to centre of single phase socket = 200 mm
 from motor end to centre on/off = 124 mm
 Refer to Table 3 for dimensions